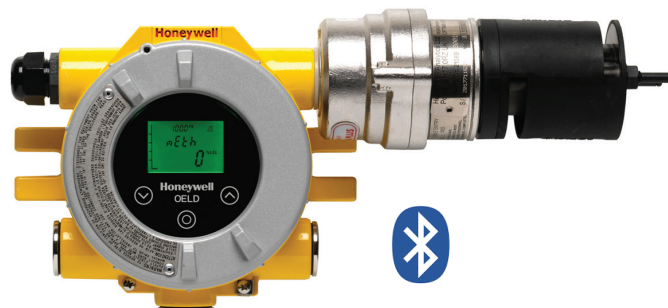


GAS DETECTION OELD

Bluetooth-enabled local display
for Searchline Excel and
Searchpoint Optima Plus



OELD SPECIFICATION

MATERIAL	Marine-grade aluminium alloy or 316 stainless steel with 5-coat painted finish
WEIGHT	Aluminium version 2.3 kg (5 lb), stainless steel version 5.0 kg (11 lb)
DIMENSIONS	159 x 197 x 114 mm (6 ¼ x 7 ¾ x 4 ½ inch)
CABLE ENTRIES	5 x M25 (ATEX/IECEX version) or 5 x ¾" NPT (cULus version). One reserved for sensor connection. 3 blanking plugs supplied for unused entries.
TERMINATION	2 x pluggable rising-clamp type for connection to gas detector and field wiring. Accepts cable sizes of 0.5 to 2.5mm ² , 12 to 28 AWG
STORAGE TEMPERATURE	-40 to +65 °C (-40 to 149 °F)
OPERATIONAL TEMPERATURE	-40 to +65 °C (-40 to 149 °F) -60 to +65 °C (-76 to 149 °F) (CU TR-EX version only)
HUMIDITY	0 to 99% RH (non-condensing)
DISPLAY	LCD module showing digital readout of sensor output, bar chart representation, units of measurement, status icons for alarm, maintenance and active Bluetooth connection. Magnetic switch interface.
CONFIGURABLE DISPLAYED INFORMATION	Displayed information fully user-configurable using the OELD mobile app. Units of measurement selectable from: <ul style="list-style-type: none"> • %LEL, %VOL, ppm, kppm, mg/m³, g/m³ (point detectors) • LEL.m, ppm.m (open path detectors) • mA, A, dB, DBA (other) Gas name (up to 4 alpha-numeric characters) Measurement range
VISUAL INDICATION	Green/yellow/red/blue multi-colour backlit display for indication of detector and OELD status. Green (normal) indication can be disabled via app.
POWER SUPPLY	18 to 32 Vdc (24 Vdc nominal), <2 W
INTERFACES	Bluetooth® (BLE) non-intrusive connection to suitable mobile device running the OELD mobile app. Range up to 10 m (30 feet) (mobile device dependant) Internal RS-485 connection to Searchpoint Optima Plus or Searchline Excel via SHC-1 through the SHC Protection Device 3 switch magnetic interface using the tool provided
COMPATIBLE GAS DETECTORS	Searchpoint Optima Plus. Searchline Excel, Searchline Excel Cross-Duct, generic 4 to 20 mA devices
ENVIRONMENTAL PROTECTION	IP66 / Type 4X (in accordance with NEMA 250)
CORE APPROVALS	EN 50270: 2015 (EMC) IEC/EN/UL/CSA 61010 (Electrical Safety)

OELD SPECIFICATION

ATEX/IECEx (Ex d version)
 DEMKO 16 ATEX 1693X
 IECEx [UL 16.0066X]
 Ⓔ II 2 GD
 Ex db IIC T6
 Ex tb IIIC T85 °C
 Tamb -40 to +65 °C
 EN 60079-29-1 Approved Accessory

ATEX/IECEx (Ex e version)
 DEKRA 17 ATEX 0006X
 DEK 17.0011X
 Ⓔ II 2 GD
 Ex eb mb [ia] IIC T5 Gb Ex tb IIIC T100 °C
 Tamb -40 to +65 °C
 EN 60079-29-1 Approved Accessory

SAFETY APPROVALS

cULus [E484838]
 Class I, Div 1, A, B, C & D
 Class II, Div 1 F & G, Class III, Div 1
 Tamb -55 to +65 °C
 Temp Code T6
 Class I, Zone 1, AEx d IIC T6
 Class I, Zone 21, AEx tb IIIC T6
 ISA 60079-29-1

CU TR-Ex (Russian Customs Union), Tamb -60 to +65 °C
 Inmetro
 NEPSI+
 PESO+

MARITIME APPROVALS

Type approved to DNV, BV+, Lloyds+, ABS, EN 60945 (EMC) IEC 60092-504

OTHER APPROVALS

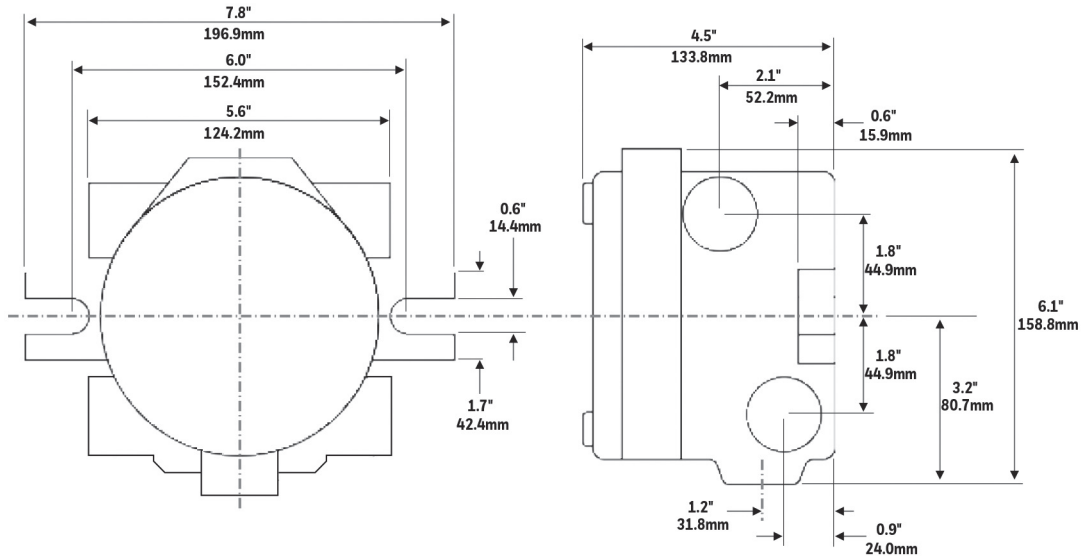
Bluetooth Certified, Radio Equipment Directive (RED), FCC+, country-specific wireless approvals

BLUETOOTH COMMUNICATION SECURITY

Certificate-based mutual authentication
 Encryption to AES128

+Flameproof versions only.

OELD DIMENSIONS



For more information

www.honeywellanalytics.com

Europe, Middle East, Africa

Life Safety Distribution GmbH
 Tel: 00800 333 222 44 (Freephone number)
 Tel: +41 44 943 4380 (Alternative number)
 Middle East Tel: +971 4 450 5800
 (Fixed Gas Detection)
gasdetection@honeywell.com

Americas

Honeywell Analytics Distribution Inc.
 Tel: +1 847 955 8200
 Toll free: +1 800 538 0363
detectgas@honeywell.com

Asia Pacific

Honeywell Analytics Asia Pacific
 Tel: +82 (0) 2 6909 0300
 India Tel: +91 124 4752700
 China Tel: +86 10 5885 8788-3000
analytics.ap@honeywell.com

Technical Services

EMEA: HAexpert@honeywell.com
 US: ha.us.service@honeywell.com
 AP: ha.ap.service@honeywell.com
www.honeywell.com

GAS OELD DTS_EN_DS01176_V2_08/19
 © 2019 Honeywell International Inc.

**THE
 FUTURE
 IS
 WHAT
 WE
 MAKE IT**

Honeywell

DSA Suppliers

Thank you for reading this. For pricing or further information, please contact us.

W: <https://dsasuppliers.com>

E: sales@dsasuppliers.com

P: +441158390391

Leading UK Supplier
Brand New & Genuine OEM Parts
Delivered Worldwide



Worldwide Delivery



1000+ Genuine Parts & Equipment

Please Note - The information, product designs & specifications in this document are subject to change without notice.
DSA Suppliers is not responsible for determining the suitability of this product.